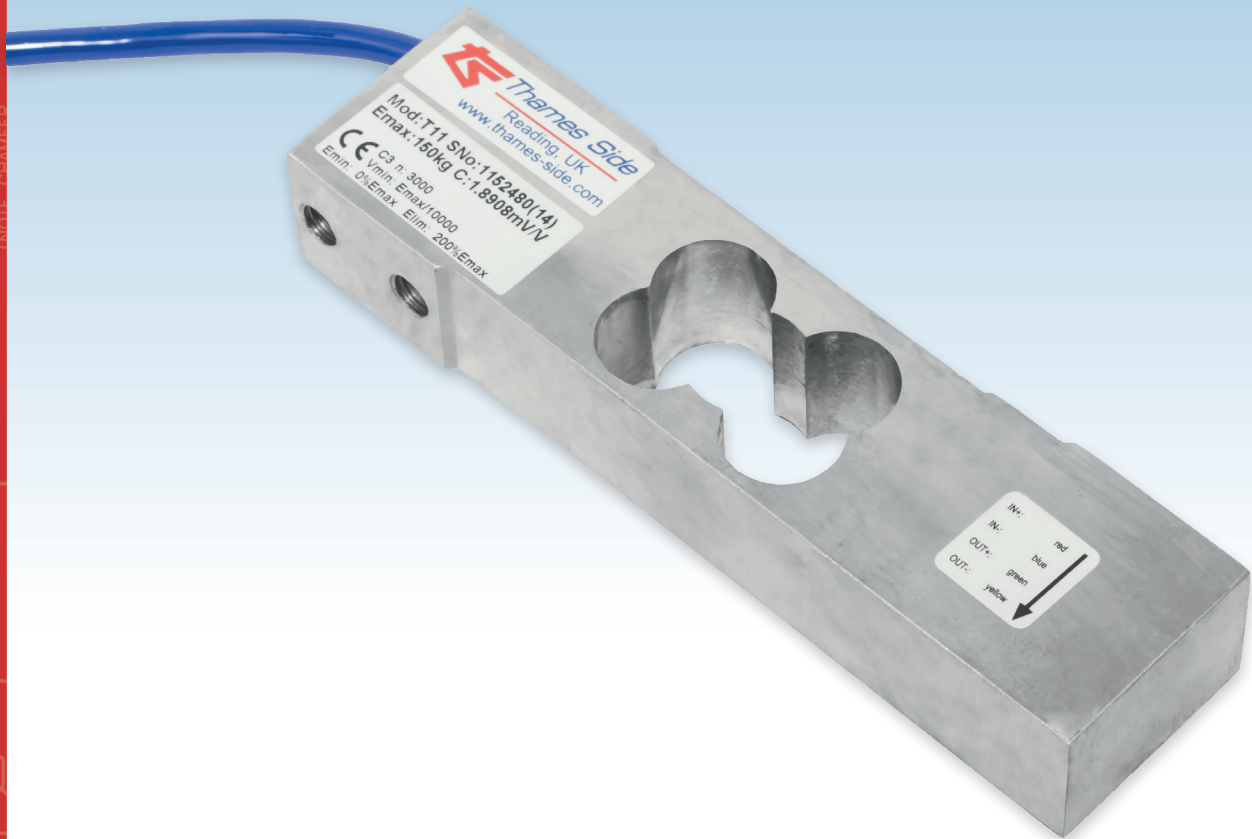


# T11

## SINGLE POINT LOAD CELL

capacities 15kg - 150kg



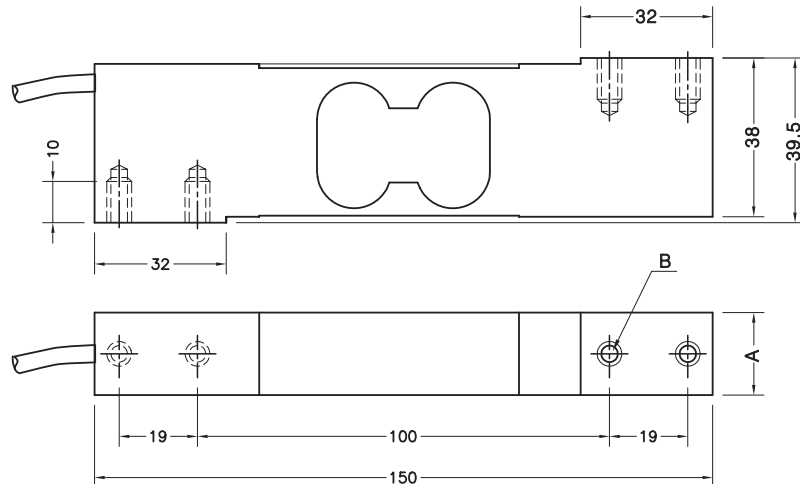
This double bending beam single point load cell is manufactured from high quality alloy steel and nickel plated. Its design allows for high accuracy weigh measurement with off-centre loads and it's potted and sealed to IP66.

Typical applications include: single point platforms up to 500x500mm in size, small buckets and hoppers supported by a single load cell, small bagging and dosing machines, filling scales and checkweighers.

- Nickel plated alloy steel load sensor
- Potted and silicone sealed to IP66
- 3000 divisions OIML R60 Class C
- 5 year warranty
- 500 x 500mm max. platform size (with load cell placed centrally under platform)
- High durability Polyurethane cable

# T11

technical specification...



## T11 Load Cell

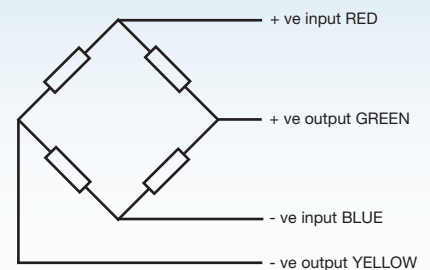
	Load cell specification	Units
Load Cell Capacity ( $E_{max}$ )	15, 20, 30, 50, 75, 100, 150	kg
Rated Output ( $S_n$ )	2	mV/V $\pm$ 10%
Accuracy Class	3000 (See Note 1)	n.OIML
Combined Error	$< \pm 0.017$	% $S_n$
Non-repeatability	$< \pm 0.01$	% $S_n$
Minimum load cell verification interval ( $V_{min}) = E_{max} / Y$	$E_{max} / 10000$	kg
Creep (30 minutes)	$< \pm 0.016$	% $S_n$
Temperature Effect on Zero Balance	$< \pm 0.002$	% $S_n / ^\circ C$
Temperature Effect on Span	$< \pm 0.0012$	% $S_n / ^\circ C$
Compensated Temperature Range	-10 to +40	$^\circ C$
Operating Temperature Range	-20 to +70	$^\circ C$
Safe Overload	150	% $E_{max}$ *
Ultimate Overload	200	% $E_{max}$ *
Zero Balance	$< \pm 2$	% $S_n$
Input Resistance	400	$\Omega \pm 20$
Output Resistance	350	$\Omega \pm 3$
Insulation Resistance	$> 5000$	M $\Omega$ @ 100V
Recommended Supply Voltage	5-15	V
Maximum Supply Voltage	15	V
Environmental Protection	IP66	
Maximum deflection at $E_{max}$	0.3-0.5	mm
Cable length	3	m
Cable Material	Polyurethane	
Maximum Platform Size +	500 x 500	mm
Nominal Shipping Weight (15 - 30kg)	1.0	kg
Nominal Shipping Weight (50 - 150kg)	1.2	kg

- OIML C3 approval is available from 15kg to 75kg (inclusive)
- \* Only applies to central loads on the load cell. Not for off-centre loads.  
+ The load cell must be placed centrally under the platform

## Dimensions

Range (kg)	15 - 30	50 - 150
A	20	25
B	M6	M8

Dimensions in mm



## Electrical Connections

Via 4 wire, 5.7mm diameter, screened polyurethane cable.

Screen not connected electrically to load cell.

## Construction

High quality nickel plated alloy steel

DISTRIBUTED BY:



## THAMES SIDE SENSORS LTD

Unit 10, io Trade Centre, Deacon Way, Reading, Berkshire RG30 6AZ, UK

tel: +44 (0) 118 941 1387

fax: +44 (0) 118 941 2004

sales@thames-side.co.uk

www.thames-side.com



Issue: T11.03.19

Our policy is one of continuous product enhancement. We therefore reserve the right to incorporate technical modifications without prior notification.